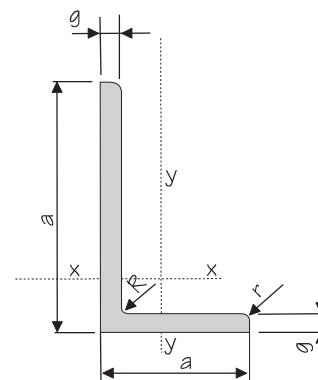


KĄTOWNIKI NIERÓWNORAMIENNE



EN 10056 - 1: 1998 (PN - EN 10056-1: 2000); EN 10056 - 2: 1993 (PN - EN 10056-2: 1998)

| Wymiary a x b x g [mm] | Wymiary [mm] | | Powierzchnia przekroju [cm ²] | Masa 1mb [kg/m] | Wielkości statyczne | | |
|------------------------------|-----------------|------|---|-----------------------|------------------------|------|------|
| | R | r | | | Lx | | |
| | | | | | [cm ⁴] | | |
| 30x20x3 | 3,5 | 2 | 1,42 | 1,11 | 1,25 | | |
| 30x20x4 | | | 1,85 | 1,45 | 1,59 | | |
| 40x20x3 | 3,5 | 2 | 1,72 | 1,35 | 2,79 | | |
| 40x20x4 | | | 2,25 | 1,77 | 3,59 | | |
| 40x25x4 | 4 | 2 | 2,46 | 1,93 | 3,89 | | |
| 45x30x3 | 4,5 | 2 | 2,19 | 1,72 | 4,47 | | |
| 45x30x4 | | | 2,87 | 2,25 | 5,78 | | |
| 45x30x5 | | | 3,53 | 2,77 | 6,99 | | |
| 50x30x4 | 4,5 | 2 | 3,07 | 2,41 | 7,71 | | |
| 50x30x5 | | | 3,78 | 2,96 | 9,41 | | |
| 50x40x4 | 4 | 2 | 3,46 | 2,71 | 8,54 | | |
| 50x40x5 | | | 4,27 | 3,35 | 10,4 | | |
| 60x30x5 | 6 | 3 | 4,29 | 3,37 | 15,6 | | |
| 60x40x5 | 6 | 3 | 4,79 | 3,76 | 17,2 | | |
| 60x40x6 | | | 5,68 | 4,46 | 20,1 | | |
| 60x40x7 | | | 6,55 | 5,14 | 23,0 | | |
| 65x50x5 | 6 | 3 | 5,54 | 4,35 | 23,1 | | |
| 65x50x7 | | | 7,60 | 5,97 | 31,0 | | |
| 65x50x9 | | | 9,58 | 7,52 | 38,2 | | |
| 70x50x6 | 6 | 3 | 6,88 | 5,40 | 33,5 | | |
| 70x50x7 | 6,5 | 3,5 | 8,30 | 6,51 | 46,4 | | |
| 75x50x6 | 6,5 | 3,5 | 7,19 | 5,65 | 40,5 | | |
| 75x50x7 | | | 8,31 | 6,53 | 46,4 | | |
| 75x50x8 | | | 9,41 | 7,39 | 52,8 | | |
| 75x50x9 | 7 | 3,5 | 10,5 | 8,23 | 57,4 | | |
| 75x55x5 | | | 6,30 | 4,95 | 35,5 | | |
| 75x55x7 | | | 8,66 | 6,80 | 47,9 | | |
| 75x55x9 | 7 | 3,5 | 10,9 | 8,59 | 59,4 | | |
| 80x40x6 | | | 7 | 3,5 | 6,85 | 5,41 | 44,9 |
| 80x40x8 | | | | | 9,01 | 7,07 | 57,6 |
| 80x60x7 | 8 | 4 | 9,38 | 7,36 | 59,0 | | |
| 80x65x8 | 8 | 4 | 11,0 | 8,66 | 68,1 | | |
| 80x65x10 | | | 13,5 | 10,7 | 82,2 | | |
| 90x60x6 | | | 7 | 3,5 | 8,69 | 6,82 | 71,7 |
| 90x60x8 | 11,4 | 8,96 | | | 92,5 | | |

| Wymiary a x b x g [mm] | Wymiary [mm] | | Powierzchnia przekroju [cm ²] | Masa 1mb [kg/m] | Wielkości statyczne | |
|------------------------------|-----------------|------|---|-----------------------|------------------------|------|
| | R | r | | | Lx | |
| | | | | | [cm ⁴] | |
| 100x50x63 | 9 | 4,5 | 8,73 | 6,85 | 89,7 | |
| 100x50x8 | | | 11,5 | 8,99 | 116 | |
| 100x50x10 | | | 14,1 | 11,1 | 141 | |
| 100x65x7 | 10 | 5 | 11,2 | 6,77 | 113 | |
| 100x65x8 | | | 12,7 | 9,94 | 127 | |
| 100x65x9 | | | 14,2 | 11,1 | 141 | |
| 100x65x10 | | | 15,6 | 12,3 | 154 | |
| 100x65x11 | 10 | 5 | 17,1 | 13,4 | 167 | |
| 100x75x7 | | | 11,9 | 9,32 | 118 | |
| 100x75x8 | | | 13,5 | 10,6 | 133 | |
| 100x75x9 | | | 15,1 | 11,8 | 148 | |
| 100x75x11 | 11 | 5,5 | 18,2 | 14,3 | 176 | |
| 120x80x8 | | | 15,5 | 12,2 | 226 | |
| 120x80x10 | | | 19,1 | 15,0 | 276 | |
| 120x80x12 | 11 | 5,5 | 22,7 | 17,8 | 323 | |
| 125x75x8 | | | 15,5 | 12,2 | 247 | |
| 125x75x10 | | | 19,1 | 15,0 | 302 | |
| 125x75x12 | 11 | 5,5 | 22,7 | 17,8 | 354 | |
| 130x65x8 | | | 15,1 | 11,9 | 263 | |
| 130x65x10 | | | 18,6 | 14,6 | 321 | |
| 130x65x12 | 12 | 6 | 2,21 | 17,3 | 376 | |
| 130x90x12 | | | 25,1 | 19,7 | 420 | |
| 150x75x9 | | | 10,5 | 5,5 | 19,5 | 15,3 |
| 150x75x11 | 23,6 | 18,6 | | | 545 | |
| 150x100x10 | 13 | 6,5 | 24,2 | 19,0 | 552 | |
| 150x100x12 | | | 28,7 | 22,6 | 650 | |
| 150x100x14 | | | 33,2 | 26,1 | 744 | |
| 160x80x12 | 13 | 6,5 | 27,5 | 21,6 | 720 | |
| 180x90x10 | 14 | 7 | 26,2 | 20,6 | 880 | |
| 180x90x12 | | | 31,2 | 24,5 | 1040 | |
| 200x100x10 | 15 | 7,5 | 29,2 | 23,0 | 1220 | |
| 200x100x12 | | | 34,8 | 27,3 | 1440 | |
| 200x100x14 | | | 40,3 | 31,6 | 1650 | |